



iSun Hybrid Inverters

RENERGY INVERTERS



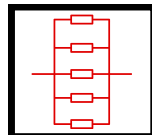
Easy to install, Smart setting through LCD



Supports BMS Communication



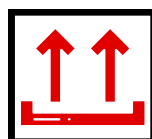
A variety of Intelligent working modes



Supports Parallel connections upto 9 Units

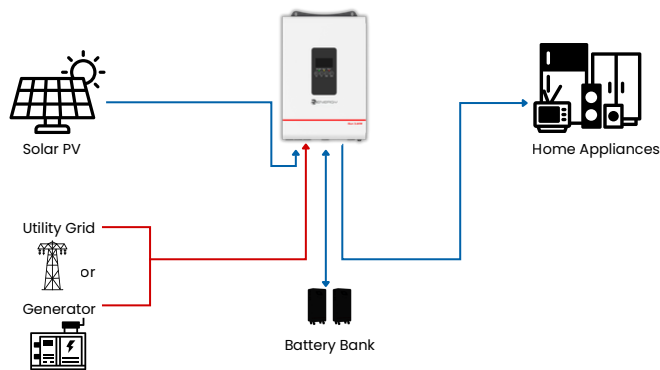


Remote monitoring via App or Web



Dual Outputs for smart load management(optional)

Product Application Diagram





TECHNICAL SPECIFICATIONS				
MODEL	RPI-LV-1.2-1P	RPI-LV-3.6-1P	RPI-LV-5-DO-1P	RPI-LV-6-DO-1P
AC INPUT				
Rated Voltage	208/220/230/240V.a.c.L+N+PE			
Rated Frequency	50Hz/60Hz			
Current (Maximum Continuous)	10 A a.c	20 A a.c	40 A a.c	40 A a.c
INVERTER OUTPUT				
Rated Power	1.2 KW	3.6 KW	5KW	6KW
Rated Voltage	208/220/230/240V.a.c.L+N+PE			
Power Factor	1			
Wave form	Pure Sine Wave			
Switch Time	<10ms(Typical)			
Inverter Efficiency Peak	>90.5% @12 Vd.c	>92%	>94%	>94% @48V d.c
Current (Maximum Continuous)	5.5 A a.c	15.6 A a.c	22.7 A a.c	27.3 A a.c
Maximum Output OverCurrent Protection	102%~110% 1min/110%~130%10s/130%10s~150%3s/150%0,2s			
BATTERY				
Battery Type	Lithium / Lead Acid			
Battery Volatge Range	12 V d.c	24 V d.c	48 V d.c	48 V d.c
Rated Battery Voltage	10.8-15 V d.c	21-30.2 V d.c	42-56.4 V d.c	42-56.4 V d.c
Max. Charge Current	120 A d.c		160 A d.c	120 A d.c
PV INPUT				
No of MPPT Tracker/Strings	1/1			
Max. PV Array Power	1kW	5kW	9kW	9kW
Max. DC Voltage	125 V d.c	500 Vd.c	500 V d.c	500 V d.c
MPPT Voltage Range	20~100 V d.c	40~450 V d.c	60~450 V d.c	60~450 V d.c
Start- up Voltage	20 V d.c	60 V d.c	80 V d.c	80 V d.c
MPPT Max. Charge Current	60 A d.c	100 A d.c	160 A d.c	120 A d.c
Maximum Input Current	14 A	18 A	27 A	27 A
Isc PV (Absolute Maximum)	15	22	30	30
PROTECTION & FEATURE				
Parrallel Function	N0	No	Yes (upto 9pcs, optional)	Yes (upto 9pcs, optional)
Protection Degree	IP20, Indoor Only			
Certifications	CE(IEC62109-1),EN61000NRS			
Other Protections	Overload,Over temperature, Short circuit			
GENERAL PARAMETER				
Storage Temperature	-15°C~ +60°C			
Operating Temperature	-10°C~ +50°C			
Humidity	20%~ 95%			
Operating Altitude	400m(>1000m Derating)			
Noise	<50dB			
Machine Dimensions (W*H*D)	330*228*90mm	285*435*100mm	315*470*120mm	315*470*120mm
Machine Weight N/W	3.2 kg	6.5kg	9kg	9kg
DISPLAY AND COMMUNICATION				
Display	LCD Display(Display RunningMode, Loads/Input/Output etc)			
Interface	RS485/CAN/Dry Contact/WIFI(Optional)			



(0044) 19089 20612



500 Avebury Boulevard, Milton Keynes,
Buckinghamshire, MK9 2BE, United Kingdom



www.renerypower.com



support@renerypower.com

RENERGY POWER LIMITED is registered company in England and Wales under number 10115425

www.renerypower.com