



Reenergy Power established in 2016 in the United Kingdom, is a leading manufacturer of premium Lithium-ion and VRLA batteries.

We were founded to meet the increasing demand for efficient and sustainable energy storage solutions. Our batteries are engineered for diverse applications, ranging from renewable energy systems to industrial equipment, serving both residential and commercial needs. With a strong focus on innovation, reliability, and environmental sustainability, Reenergy Power is dedicated to delivering long-lasting, high-performance batteries that help build a greener, more connected future.

iPower 14.34

iPower 14.34 provides 14.34kWh capacity, utilizing high-quality Grade A Lithium cells. It is designed for wall or ground mounting and includes built-in wheels for easy mobility. It also features in-built BMS for intelligent monitoring, a colored touch LCD screen, RS485 and CAN communication, Bluetooth and WiFi connectivity and the ability to support parallel connection of up to 16 units.



Key Features



Multiple Modes of Operation



Grade A LifePo4 Cell



Built-In BMS



Wheeled/ wall mounted

Product Details

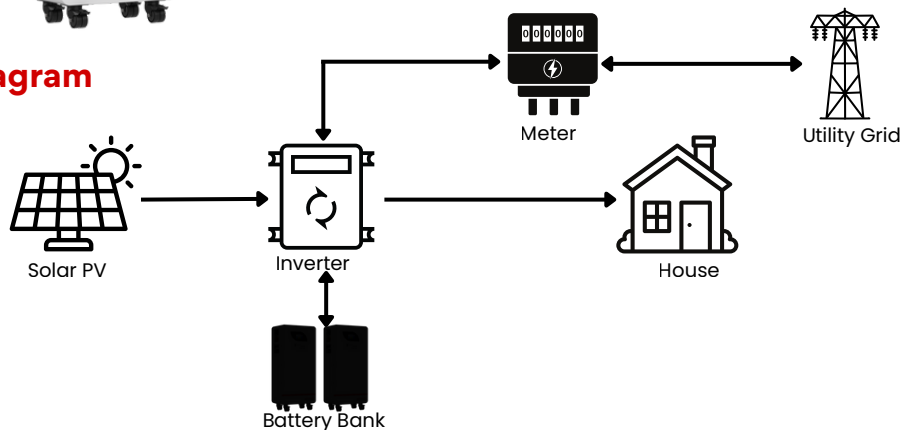
- Coloured touch LCD screen, Bluetooth & WIFI
- LFP (Lithium iron phosphate) Grade A cells to ensure the highest safety and quality
- Built in BMS for intelligent monitoring and management of the cell temperature, current, voltage, SoC, SoH
- Compatible with wide range of inverter brands
- Ground-standing for easy installation
- RS485 & CAN Communication
- Support parallel connection of up to 16 units



Technical Specifications

Items	Description
Rated Voltage	51.2V
Rated Capacity	280Ah
Rated Energy	14.34kWh
Output Voltage Range	43.2V-58.4V
Charging Voltage	57.6-58.4V
Cut-Off Voltage	43.2V
Max Charging Current	150A
Recommended Charging Current	50A
Max. Discharge Current	150A
Efficiency	>98%
Dimensions L*W*H*mm	825*413*233
Weight (kg)	~110
Humidity	5%-95% Relative Humidity
Charging Temperature	0°C-55°C
Discharging Temperature	-20°C-60°C
Storage Temperature	-10°C-30°C
Cycle Life	8000 50% DOD, 6000 times 80% DOD, 4000 100% DOD (0.2, 25°C)
Design Life	>10 Years
Operating Mode	Touch Screen

System Diagram



Contact us



(0044) 19089 20612



www.reenergypower.com



support@reenergypower.com



500 Avebury Boulevard, Milton Keynes, Buckinghamshire, MK9 2BE, United Kingdom



iPower 14.34

REENERGY POWER LIMITED is registered company in England and Wales under number 10115425