

RENERGY POWER

"Empowering Excellence Worldwide"

Lithium Ion Energy Storage

iPower 14.34



Reenergy Power is a leading manufacturer of high-quality lithium-ion and VRLA batteries, catering to the growing demand for efficient and sustainable energy storage solutions. Our batteries are designed for a wide range of applications, including renewable energy systems, and industrial equipment, for residential and commercial applications.

We are committed to innovation, reliability, and environmental sustainability. Reenergy Power aims to provide durable, high-performance batteries that empower a greener and more connected world.

|| ■ iPower 14.34

iPower 10.24 represents the pinnacle of technological innovation, utilizing the latest advancements to create a high-performance lithium-ion battery pack capable of meeting the most demanding power requirements of today's applications. Its sleek and modern design looks fantastic and delivers exceptional performance. It's easily integrated into a wide variety of devices and systems

Key Features



Multiple Modes of Operation



Grade A LifePo4 Cell



Built-In BMS



Wheeled/ wall mounted



Product Details

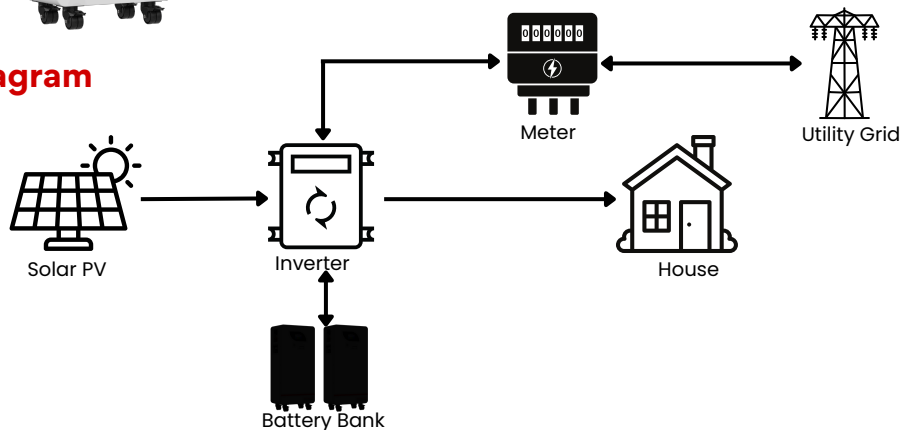
- Coloured touch LCD screen, Bluetooth & WIFI
- LFP (Lithium iron phosphate) Grade A cells to ensure the highest safety and quality
- Built in BMS for intelligent monitoring and management of the cell temperature, current, voltage, SoC, SoH
- Compatible with wide range of inverter brands
- Ground-standing for easy installation
- RS485 & CAN Communication
- Support parallel connection of up to 16 units



Technical Specifications

Items	Description
Rated Voltage	51.2V
Rated Capacity	280Ah
Rated Energy	14.34kWh
Output Voltage Range	43.2V-58.4V
Charging Voltage	57.6-58.4V
Cut-Off Voltage	43.2V
Max Charging Current	150A
Recommended Charging Current	50A
Max. Discharge Current	150A
Efficiency	>98%
Dimensions L*W*H*mm	825*413*233
Weight (kg)	~110
Humidity	5%-95% Relative Humidity
Charging Temperature	0°C-55°C
Discharging Temperature	-20°C-60°C
Storage Temperature	-10°C-30°C
Cycle Life	8000 50% DOD, 6000 times 80% DOD, 4000 100% DOD (0.2, 25°C)
Design Life	>10 Years
Operating Mode	Touch Screen

System Diagram



Contact us



(0044) 19089 20612



www.reenergypower.com



support@reenergypower.com



500 Avebury Boulevard, Milton Keynes, Buckinghamshire, MK9 2BE, United Kingdom



iPower 14.34

REENERGY POWER LIMITED is registered company in England and Wales under number 10115425