

# Telecommunication batteries

Non-stop power supply



Telecommunication application needs **reliable and high density** power. Our telecommunication battery provides several features that can support telecommunication applications. Those features are **less self-discharging, minimum power loss, and long service life**. Therefore, by using our battery, the reliability of your telecommunication system can be increased.

## ⬆️ Less self-discharging

Self-discharge is a phenomenon of chemical reactions reduces the stored charge of the batteries. This phenomenon is one of batteries issues that need to be solved. Our telecommunication battery has unique technology which allows to press this phenomenon as low as possible. Therefore, the stored charge will keep remain long last.

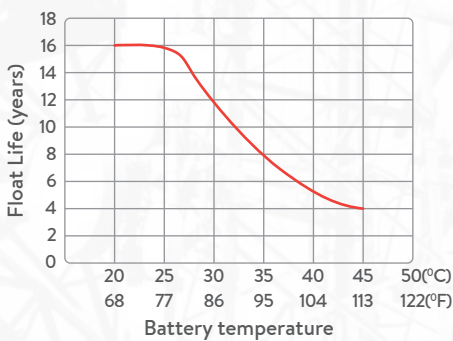
## ⚡ High rates of discharges and recharges

Telecommunication equipment sometimes need high density power to be powered up. Therefore, it is necessary to supply the telecommunication equipment with battery that has high density power. Our telecommunication battery not only has high rates of discharges but also recharges. This means you will be able to recharge our battery fast.

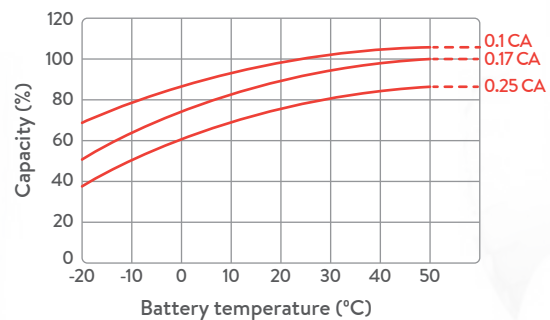
## 🕒 Long service life

We care quality same as you do. Battery lifetime plays major role in determining the quality of the battery. Our telecommunication battery has thick plates and special formula of paste and plate making process which makes our battery has long service life. This feature allows you to save your battery replacement cost due to bad battery degradation performance.

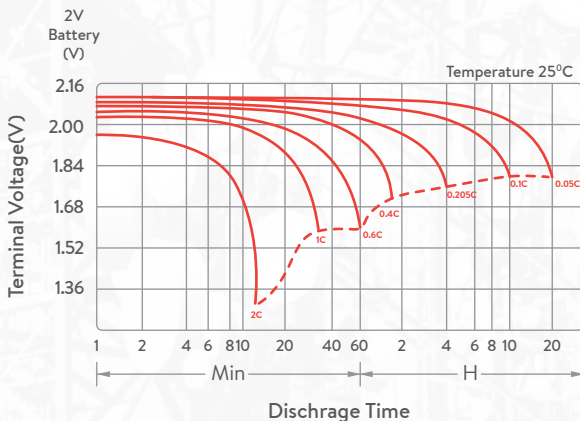
Effect of Temperature on Long Term Float Life



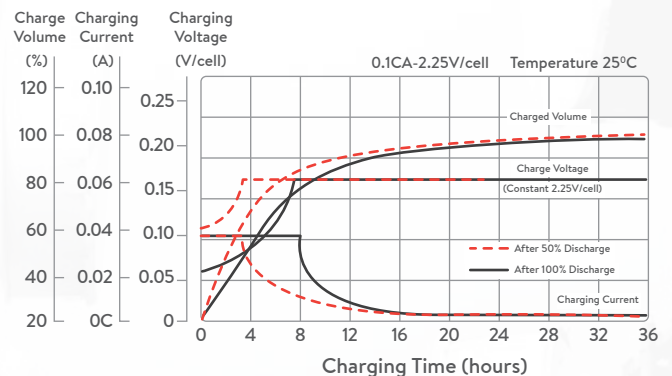
Temperature Effects in Relation to Battery Capacity



Discharge Characteristics



Float Charging Characteristics



## FEATURES AND PERFORMANCES:



Easy maintenance



Special designed grids for optimized high power density



Unique vent valve design minimizes water loss and prevents air and spark going inside.



Low internal resistance and high specific power



Fast charging technology

## APPLICATIONS:



UPS and EPS



Emergency light



Railway signal and aircraft signal system



Marine and power stations



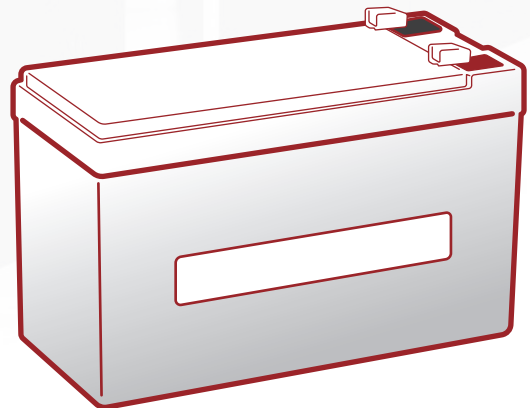
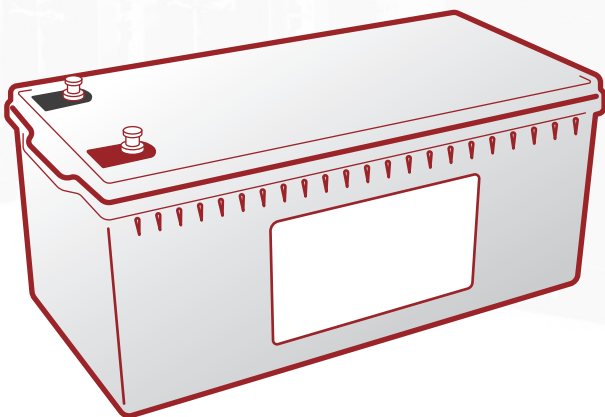
Alarm and security system

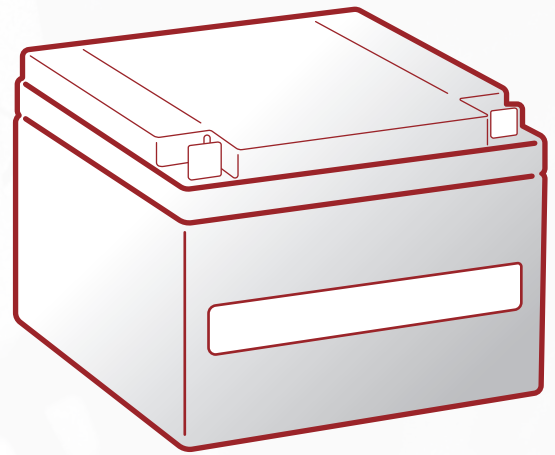
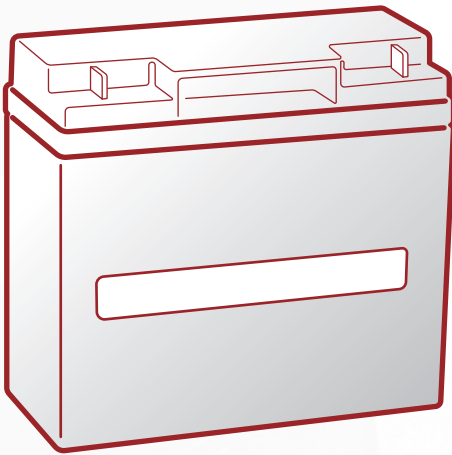
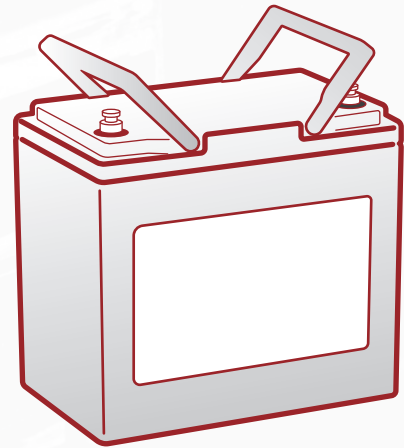
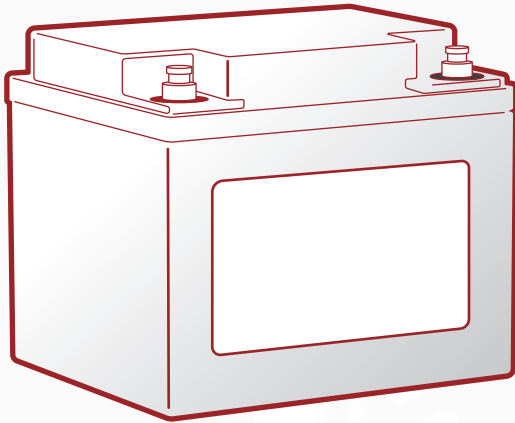


Electronic apparatus and equipment



Communication power supply, DC power supply






## Our range of Telecommunication batteries and technical specifications


Model	Rated Voltage	20Hr	10Hr	Length		Width		Height		TH		Weight		Terminal Type
	V	1.75 V/cell		mm	in.	mm	in.	mm	in.	mm	in.	kg	lbs	
RPT4-8.0	4	8	7.96	102	4.02	44	1.73	95	3.7	101	4	1	2.2	T2
RPT6-6.5	6	6.5	6.46	150	5.91	34	1.3	94	3.7	100	3.9	1.3	2.8	T2
RPT6-9.0	6	9	8.95	151	5.94	51	2	94	3.7	100	3.9	1.7	3.7	T2
RPT6-11	6	11	10.9	151	5.94	51	2	94	3.7	100	3.9	2	4.3	T2
RPT12-4.5	12	4.5	4.47	151	5.94	53	2.1	93	3.7	99	3.9	1.9	4.2	T1
RPT12-7	12	7	6.92	151	5.94	65	2.6	93.5	3.7	99.5	3.9	2.5	5.4	T2
RPT12-12	12	12	11.6	151	5.94	98	3.9	95	3.7	101	4	3.9	8.5	T2

Model	Rated Voltage	20Hr	10Hr	Length		Width		Height		TH		Weight		Terminal Type
	V			1.75 V/cell		mm	in.	mm	in.	mm	in.	mm	in.	
RPT12-18	12	18	17	181.5	7.15	77	3	167.5	6.6	167.5	6.6	5.7	12.6	T3
RPT12-24	12	24	23.9	164	6.46	125	4.9	174	6.9	174	6.9	8.5	18.6	T12
RPT12-24	12	25.4	23.8	166	6.54	175	6.9	125	4.9	125	4.9	7.8	17.2	T12
RPT12-26	12	26	25.8	166	6.54	175	6.9	125	4.9	125	4.9	8.4	18.5	T3
RPT12-28	12	28	26.3	166	6.54	175	6.9	125	4.9	125	4.9	8.6	19	T3
RPT12-38	12	40.6	38	197	7.76	165	6.5	170	6.7	170	6.7	13.2	29.1	T6
RPT12-45	12	45	42	197	7.76	165	6.5	170	6.7	170	6.7	14.5	32	T6
RPT12-55	12	59	55	229	9.02	138	5.4	210	8.3	230	9.1	17.7	39	T9
RPT12-60	12	63.6	60	260	10.24	168	6.6	210	8.3	216	8.5	20.7	44.1	T6
RPT12-65	12	68.2	65	348	13.7	167	6.6	178	7	178	7	21.2	46.7	T6
RPT12-70	12	75	70	348	13.7	167	6.6	178	7	178	7	24	52.9	T6
RPT12-75	12	80.2	75	260	10.24	168	6.6	208	8.2	214	8.4	22.7	50.1	T6
RPT12-90H	12	95.4	90	306	12.05	168	6.6	208	8.2	230	9.1	27.1	59.8	T14
RPT12-100	12	107	100	330	12.99	173	6.8	212	8.3	220	8.7	32	70.6	T11
RPT12-120	12	128.4	120	408	16.06	177	7	225	8.9	225	8.9	36.6	80.7	T11
RPT12-140	12	149.8	140	345	13.58	172	6.8	274	10.8	280	11	45.5	100.3	T11
RPT12-150	12	160.5	150	483	19.02	170	6.7	238.5	9.4	238.5	9.4	47.2	104.1	T11
RPT12-200	12	214	200	522	20.55	240	9.4	218	8.6	224	8.8	64	141.1	T11
RPT12-250	12	268	250	522	20.55	268	10.6	220	8.7	226	8.9	74	163.2	T11
RPT2-100	2	106.8	100	170	6.69	72	2.8	205	8.1	214	8.3	5.8	13	T6
RPT2-150	2	160	150	170	6.69	98	3.9	205	8.1	214	8.3	8.4	18.7	T7
RPT2-200	2	214	200	170	6.69	110	4.3	328	12.9	350	13.8	13.7	30.2	T11
RPT2-250	2	266	250	170	6.69	110	4.3	328	12.9	350	13.8	14.5	32	T11
RPT2-300	2	320	300	170	6.69	150	5.9	330	13	350	13.8	18.8	41.5	T11
RPT2-400	2	426	400	210	8.27	175	6.9	330	13	350	13.8	25.5	56.2	T11
RPT2-450	2	480	450	210	8.27	175	6.9	330	13	350	13.8	26	57.3	T11
RPT2-500	2	534	500	240	9.45	175	6.9	328	12.9	348	13.7	30.5	67.3	T11
RPT2-600	2	640	600	300	11.8	175	6.9	330	13	350	13.8	36.6	84.2	T11
RPT2-800	2	854	800	410	16.1	175	6.9	330	13	350	13.8	50.4	111.1	T11
RPT2-1000	2	1068	1000	475	18.7	175	6.9	328	12.9	350	13.8	60	132.3	T11
RPT2-1200	2	1280	1200	475	18.7	175	6.9	328	12.9	350	13.8	66.4	146.4	T11
RPT2-1500	2	1600	1500	403	15.87	354	13.9	339	13.3	349	13.7	96	211.7	T11
RPT2-2000	2	2134	2000	490	19.29	350	13.8	339	13.3	349	13.7	127	280	T11
RPT2-3000	2	3202	3000	709	27.9	350	13.8	337	13.3	347	13.7	180	396.9	T11



 [info@renergypower.com](mailto:info@renergypower.com)

 (0044) 1908920612

 500 Avebury Boulevard, Milton Keynes, Buckinghamshire, MK9 2BE